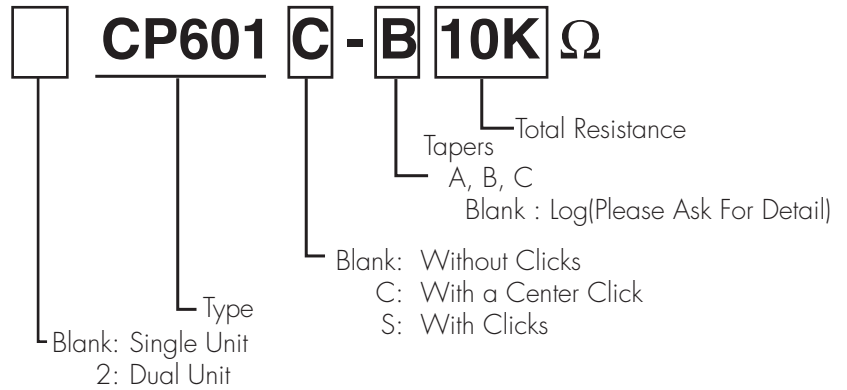


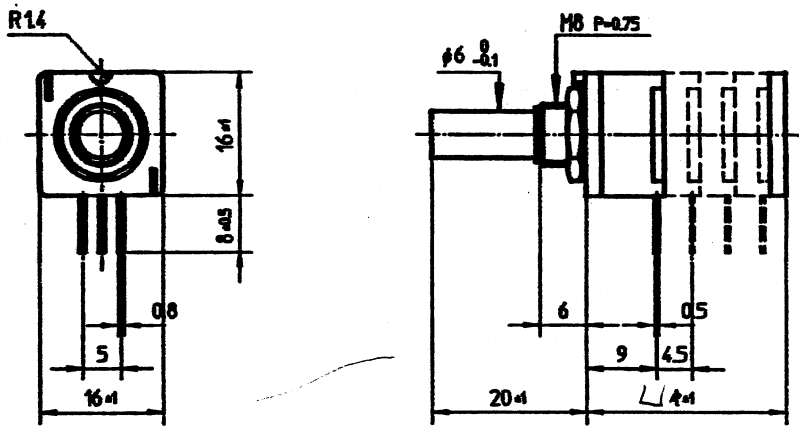
## CP601 Series



## Numbering System

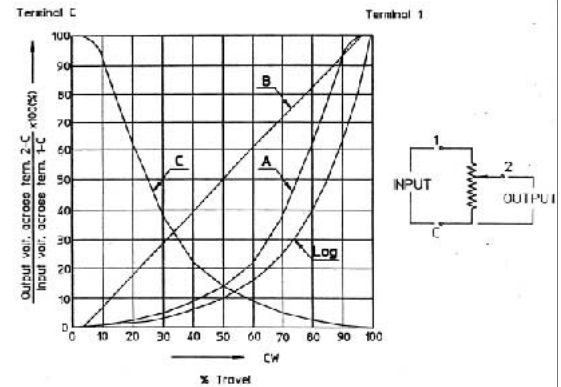


## Dimensions



No. of channels	1	2	3	4
L	12	16.5	21	25.5

## Resistance taper



## Specifications

	CP-601	2CP-601
Model	CP-601	2CP-601
Number of Channels (Unbalanced)	1	2
Total Resistance	10, 20, 50, 100K $\Omega$	
Total Resistance Tolerance	$\pm 20\%$	
Resistance Taper	A, B, C, Log	
Attenuation Accuracy (At Log Taper)	0~10dB $\pm 1.0$ dB 30dB $\pm 2.0$ dB 42dB $\pm 3.0$ dB	
Matching Accuracy (At Log Taper)	0~10dB $\pm 0.6$ dB 20dB $\pm 1.0$ dB 42dB $\pm 2.0$ dB	
Cut off (At Log Taper)	90dB Min. (At 15KHz)	
Ratings Power	B Taper 0.05W Other Than B Taper 0.02W	
Insertion Loss for Log Taper	0.2dB Max.	
Residual Resistance	40 $\Omega$ Max.	
Insulation Resistance	100M $\Omega$ Min. At DC 500V	
Total Rotation Angle	300 Degrees $\pm 3$ Degrees (No Detent)	
Rotational Life	100,000 Cycles Min.	